



COUNTY OF PRINCE WILLIAM
1 County Complex Court, Prince William, Virginia 22192-9201
(703) 792-6930 Metro 631-1703 FAX: (703) 792-7054

DEPARTMENT OF
PUBLIC WORKS
Division of
Building Development

Robert W. Wilson
Director

PRODUCT APPROVAL 96-02
June 30, 2003

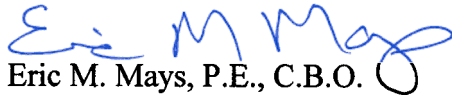
Division 15: Mechanical Section 15430: Plumbing Specialty

**Product: Elevator Pit Oil-Minder Control System Manufacturer: Stancor, Inc.
515 Fan Hill Road
Monroe, CT 06468**

Report: Not applicable

Manufacturer Listing: See attached.

CONDITIONS – No special conditions.



Eric M. Mays, P.E., C.B.O.
Building Official

Cc: Product Approval Folder
Building Plan Review Branch
Construction Inspections Branch

8918 Herrmann Drive
Columbia, Maryland 21045



AMES, Inc.
Manufacturers' Representative
Since 1957

D.C. (301) 621-8899
BALT. (410) 995-6971
(FAX) (410) 381-5760

May 14, 2003

Prince William County
Building Development Division
1 County Complex Court
Prince William, VA 22192

RECEIVED
DPW/BUILDING DEVELOPMENT

MAY 19 2003

Attn: Eric Mays

Stancor "Oil-Minder" Elevator Sump Pump

Dear Mr. Mays,

I am writing to you to ask if you would write an approval letter for the use of the Stancor "Oil Minder" sump pumps in Prince William County. We have received approval letters from other counties and were hoping we could receive an approval from you. I have attached the approval letters for your review as well as the Stancor literature.

The Oil-Minder[®] sump pump allows water to be automatically pumped from elevator pits in accordance with ASME A17.1 without danger of ejecting potentially harmful oily substances into the sewage or groundwater drainage systems.

In addition, specifications, drawings, operation and maintenance manuals, and other information can be found at their website www.stancorpumps.com. We have a demonstration unit in our warehouse and would be glad to have a demonstration / seminar if you so desire. Please let me know a date in June and we could set this demonstration up. If you should have any questions concerning this product, please call Carole Pappas on extension 104, Ed Gorman on 105 or myself on 101.

Best regards,

Frank McQuilkin
President ext. 101

Attachments: STANCOR Elevator Pit Oil-Minder[®] Control System Brochure
AMES, Inc. Line Card
Approval Letters

STANCOR *Elevator Pit* Oil-Minder® Control System

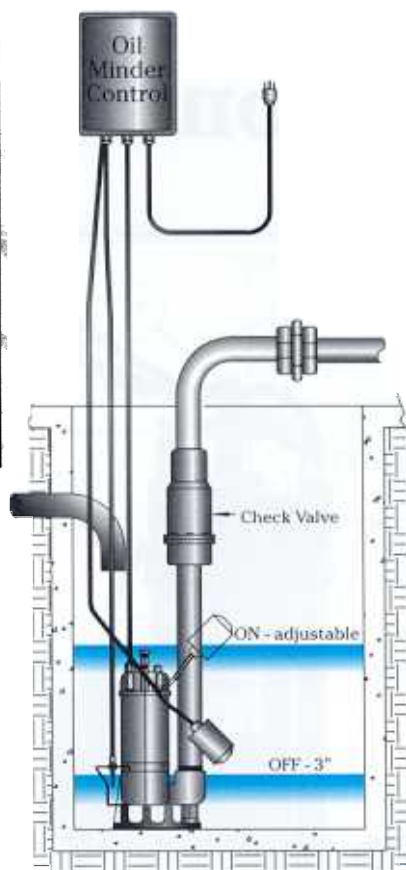
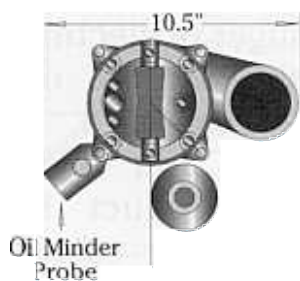
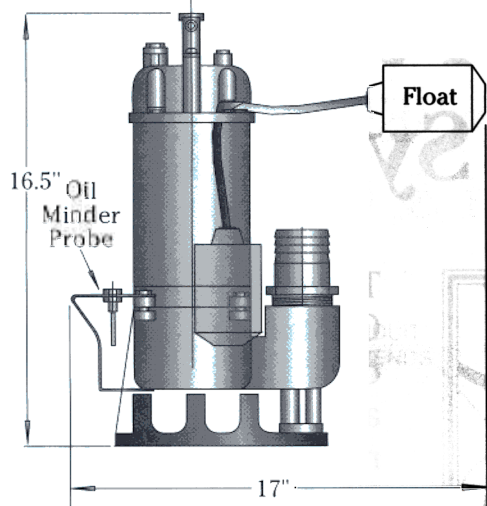


The Stancor Oil-Minder Control System, when combined with a pump, allows water to be automatically pumped from elevator pits in accordance with ASME A17.1 without danger of ejecting potentially harmful oily substances into sewers, rivers and waterways. The product is engineered for efficient and trouble free pumping, even under the most severe conditions. The patented oil-minder system has a proven record of protecting valuable equipment and the environment while being extremely cost effective.

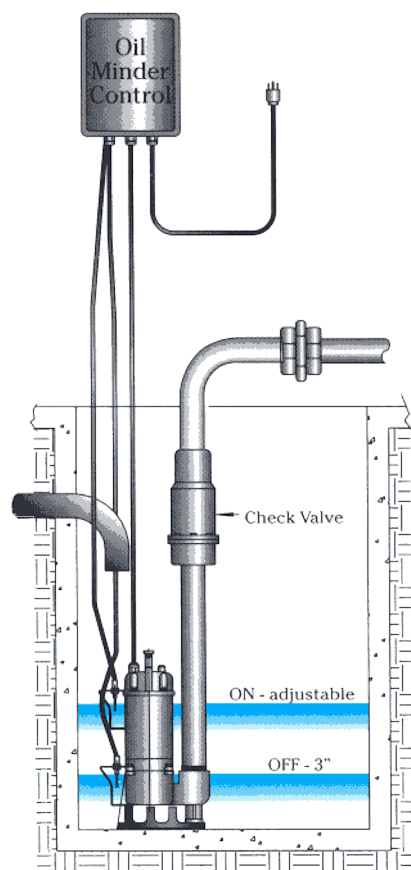
Features

- NEMA 4x weathertight corrosion resistant fiberglass enclosures
- Stainless steel sensor probe
- Single direct plug-in power source for efficient, economical hook-up
- Alarm, light, and remote monitoring circuit for hydraulic oil alert
- Complete factory packaging insures quality of entire control and pump system
- Patented - Pat. #4,715,785, #4,752,188, #6,203,281 and others pending
- Oil-minder system can be combined with a variety of different pumps and valves to meet non-standard requirements
- Choice of: 115v or 220v (1 phase) OR 230v/460v/575v (3 phase)
- Approved to UL508 and UL778 Standards
- ENTELA tested and certified

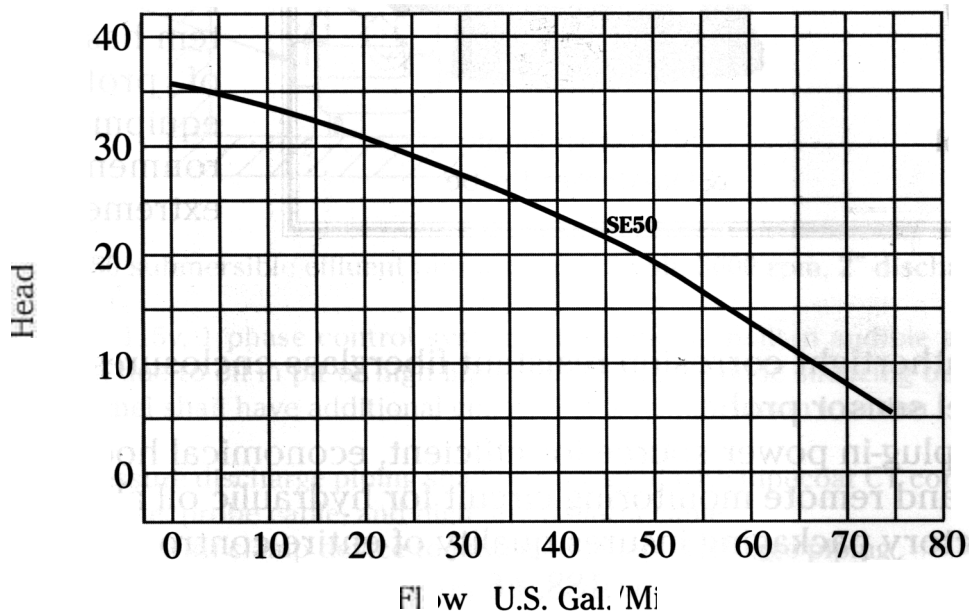
Quality You Can Believe In



SE50 with float & oil minder probe



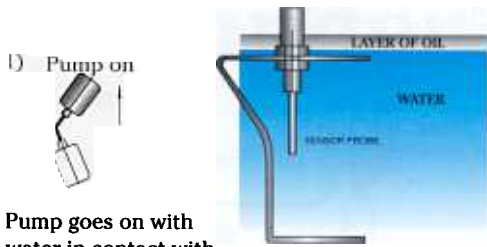
SE50 with water level probe & oil minder probe



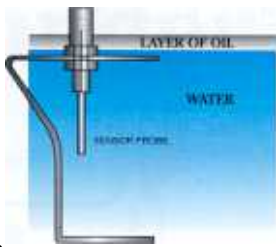
General & Electrical Specifications

Model	H.P.	Voltage	RPM	Rated Full-Load Amps	Discharge Size	Max Head Ft.	Max Flow GPM	Weight Lbs.	Height In.	Width In.
SE50	0.5	115 or 230	3600	5/2.5	2"	37'	74	30.8	16.2"	9.1"

How the Stancor Oil Minder System Works:



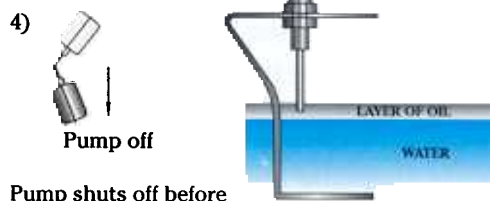
1) Pump on
Pump goes on with water in contact with sensor probe.



2) Pump on
Pump continues to pump down water



3) Pump on
Pump off
Pump will continue to run, pumping water only until
1) pump switch reaches "off" position (3" from bottom of sump) or
2) only oil is in contact with sensor probe, eliminating electrical conductivity

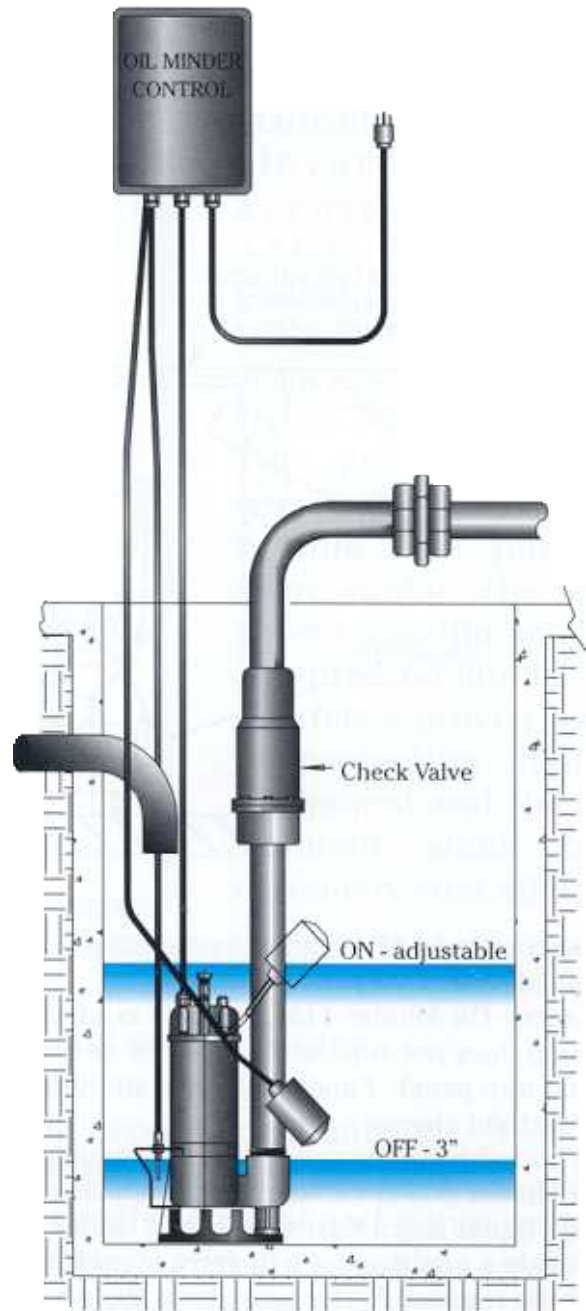


4) Pump off
Pump shuts off before oil is pumped, leaving approximately 3" of liquid in bottom of sump.



5) Float up
Pump off
Sump floods with oil, sensor probe overrides pump switch and pump remains off. (Oil is contained).

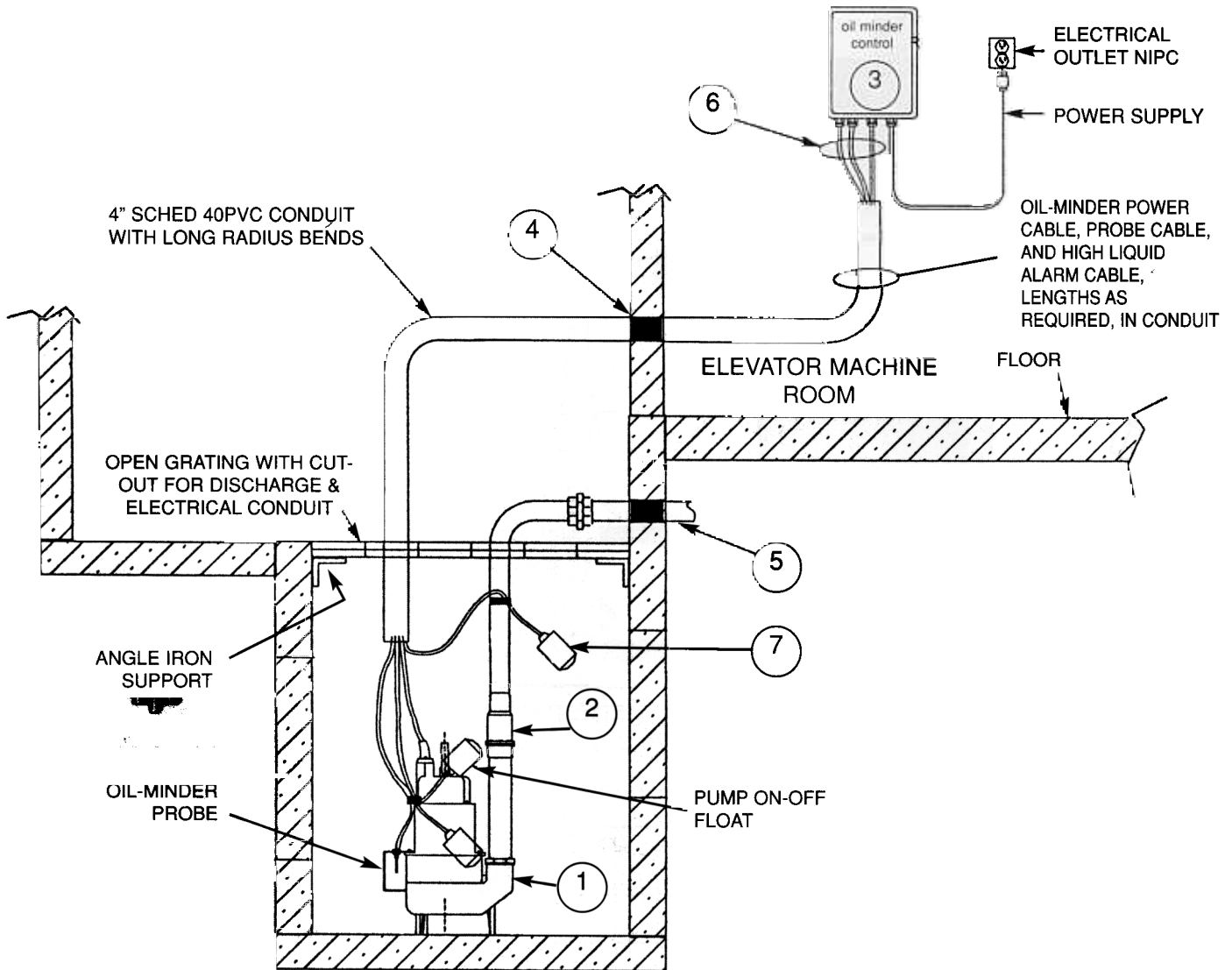
Stancor SE50 Pump with Float & Oil-Minder



*Caution Tip of oil minder probe must be below off level of float and above center line of volute inlet to insure proper functioning of oil minder.

See back page for illustration of typical engineered Oil-Minder® Control and Pump System (Type SE-50)

Sump Pump Diagram - Hydraulic Elevator Diagram



- 1) Stancor Model SE-50 submersible effluent pump .5hp, 115 volt, 3600 rpm, 2" discharge connection
- 2) Stancor check valve
- 3) Stancor Oil Minder 115v, 1 phase control system with optional built-in audible and visual alarm when pump does not run due to oil in pit or high liquid condition. Provide silencing button for audible alarm built into panel. Panel shall have additional contact for a remote alarm location.
- 4) Watertight sleeve
- 5) All buried pump pressure discharge piping shall be protected with tapecoat CT corrosion protection tape
- 6) Oil Minder power cable, probe cable, and high liquid alarm cable
- 7) High liquid alarm float with clamp device to mount to pump discharge piping
- 8) Provide a minimum of 5 ft. extra of each cable (slack) rolled and clamped to the discharge pipe to allow for the removal of the pump from the pit.

ITEMS 1, 2, 3, 6, AND 7 PROVIDED BY STANCOR



Stancor, Inc.

515 Fan Hill Road • Monroe, CT 06468

Phone 203-268-7513 • Fax 203-268-7958 • www.stancorpumps.com

Mosher, Ken

From: Mosher, Ken
Sent: Thursday, June 19, 2003 3:03
To: 'cdigiovanni@nspi.org'
Subject: Standards

Mr. DiGiovanni.

The reference standards we would like to have are:

ANSI/NSPI-3

ANSI/NSPI-4

ANSI/NSPI-5

ANSI/NSPI-6 All current standards for 2000 IRC Code @\$20.00 each

And ANSI/NSPI-5 1987 @\$35.00

Send To: Prince William County Public Works
Building Development Plan Review
ATTN: Ken Mosher
1 County Complex Court, Suite 155
Prince William, VA 22192-9201

Bill To: Master Card # [REDACTED] exp 03/05
Kenneth E. Mosher
703-792-6937

Please call and give approximate delivery date for materials.

Thank You,
Ken Mosher
PWC Plumbing Plan Review

6/19/2003



COMMERCIAL / INDUSTRIAL LINE CARD

AMES, Inc.

Manufacturers' Representative
Since 1957

A.K. Industries

Fiberglass Basins, Septic Tanks and Lift Stations

AMES/MESSCO Controls & Systems

Electric and Motor Controls, Magnetic Starters, Custom Control Panels, Prefabricated Water Booster Systems and Stations

Aurora Pump Company

Centrifugal, Split-Case, End-Suction, Inline, Condensate, Boiler Feed, Variable Speed Systems Booster, Multistage & Regenerative Turbine, Sump and Sewage, Triple Duty Valves, Suction Diffusers and Strainers

AZ Tech Comminutors / Vogelsang USA

Comminutors, Shredders, Macerators for WWTP, Airports, Prisons, etc.

Bruner Corporation/Waterlink/Lakeside

Water Softeners, Filters, RO & DI, Condensate Polishers

Aurora/John Wood Company/TIGERFLOW/Wendland

Expansion Tanks (diaphragm & bladder type), Air Separators, Hydropneumatic Storage Tanks, Custom Tanks

Fairbanks Morse (Municipal Only)

Non-Clog Sewage, Vertical Turbine, Solids, Handling, Submersible Sewage, Split-Case, Vertical Turbine & Propeller

Griswold Controls

Centrifugal Solids Separator in sizes ½" to 20" for Cooling Towers

MagnaDrive Corporation

Mechanical adjustable speed drives using leading edge technology with magnetic coupling assembly.
For use in speed control, torque management, soft start and vibration control.

Precision Systems

Packaged Lift Stations & Emergency Generators

Proco Products, Inc.

Expansion Joints, Flex Connectors, Compensators, Couplings

Rockford Sanitary Systems, Inc.

Grease, Oil, Water Separators, Heliport Fuel Separators, Lint Separators

Stancor

Elevator Sump Pump with (Oil Minder) System, Stainless Steel Pumps

Stowaway Controls, Inc.

Retractable Below Ground Control Panels & Lift Stations

TIGERFLOW Systems, Inc.

Packaged Booster Systems, Fire Pump Systems, Variable Speed Pump Systems, and Heat Transfer Packages

Tsurumi Pump, Inc.

Cutter, Stainless Steel, Dewatering, Sump & Sewage

Weil Pump Company

Sewage Ejectors, Sump and Condensate, Pneumatic Ejectors, Grinder, Packaged Lift Stations

Water and Wastewater Treatment Equipment

Packaged Plants and Turn Key Jobs – Schreiber

8918 Hermann Drive, Columbia, MD 21045

301-621-8899 (DC) 410-995-6971 (Balt)

Contact: Frank McQuilkin x101, Carole Pappas x104, Frank Smith x115, Ed Gorman x105, Ken Dell x107

Visit Us at our website: <http://www.amesinc.com>

8918 Herrmann Drive
Columbia, Maryland 21045



D.C. (301) 621-8899
BALT. (410) 995-6971
(FAX) (410) 381-5760

AMES, Inc.
Manufacturers' Representative
Since 1957

**A Listing of our Voice Mail Extensions is Provided Below for Your Information
Please Keep it Handy for Ready Reference**

RECEPTIONIST

Rachel Anderson 100
rachela@amesinc.com

**NEW CONSTRUCTION – COMMERCIAL
Sales & Service**

Frank McQuilkin, Pres. 101
frankm@amesinc.com

Ed Gorman 105
edg@amesinc.com

Ken Dell
kend@amesinc.com

Frank Smith 115
franks@amesinc.com

Carole Pappas 104
carolep@amesinc.com

**AFTER – MARKET
Parts, Sales, & Service**

Dave McQuilkin, V.P. 102
Jaimie Eckert 108

jaimiee@amesinc.com
Marty Schilling

**NEW CONSTRUCTION – MUNICIPAL
Sales & Service**

Glenn Quinn 109
glennq@amesinc.com

Ken Waller 124
Keith Slep 112

keiths@amesinc.com
Peter Orloski
petero@amesinc.com

CONTROL SHOP

Kenny Day, Shop Mgr. 116
kennyd@amesinc.com

Chester Proctor 160*

Tong Kim 116*

Mike Kirschner 161*

* = Voice Mail Only / No Phone

INVENTORY CONTROL

Carlos Davis 114
carlosd@amesinc.com

CREDIT – ACCT REC / PAY

Julie Ciampa 106
juliec@amesinc.com

ACCOUNTING, HR, FINANCE

Valerie A. Farmer, General Mgr. 103
valerief@amesinc.com



LYNN UNDERWOOD, C.B.O.
INSPECTION SERVICES DIVISION CHIEF

ARLINGTON COUNTY, VIRGINIA
DEPARTMENT OF COMMUNITY PLANNING,
HOUSING AND DEVELOPMENT
INSPECTION SERVICES DIVISION

*1 COURTHOUSE PLAZA, SUITE 804
2100 CLARENDON BOULEVARD
ARLINGTON, VIRGINIA 22201
(703) 228-3800 • FAX (703) 228-7046



BUILDING INSPECTIONS
ELECTRICAL INSPECTIONS
PLUMBING INSPECTIONS
MECHANICAL INSPECTIONS
ELEVATOR INSPECTIONS
FIRE INSPECTIONS

December 2, 2002

Mr. Frank McQuilkin, President
Ames, Inc.
8918 Herrmann Drive
Columbia, Md 21045

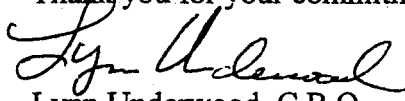
Subject: Stancor Elevator Pit Oil Minder System, Model SE50

Dear Mr. McQuilkin,

After attending an on-site demonstration of the Stancor Elevator Pit Oil Minder System, Model SE50 and subsequently reviewing the listing by ENTELA, we are pleased to allow the use of this product with our jurisdiction under the Authority of Section 112.1 and 112.2 (approval of materials and equipment) of the Virginia Uniform Statewide Building Code (VUSBC). ENTELA is considered to be a National Recognized Testing Lab (NRTL) and is certified to test according to UL Standard #778. Their testing and certification is acceptable evidence that the use of this product meets the requirements of the VUSBC.

In order to verify that the installation is performed properly, permits are required for any installation of this equipment. This approval is subject to those conditions of ENTELA's listing and conditions of acceptability and manufacturer's installation instructions. Any deviation from these listings will require further consideration. Additionally, any installer must have the product listing (by ENTELA) and the complete manufacturer's installation instructions on site during installation and inspection to ensure that they are familiar with these standards.

Thank you for your commitment to safety and for helping to improve the built environment.


Lynn Underwood, C.B.O.
Building Official



City of Falls Church

Department of Environmental Services
Samer S. Beidas, P.E., CCM, General Manager

Harry E. Wells Building – 300 Park Avenue – Falls Church, VA 22046-3332

Jatinder Singh Khokhar, CBO, Building Official
Phone: (703) 248-5087 – Fax: (703) 248-5214
E-mail: jkhokhar@ci.falls-church.va.us

November 26, 2002

Mr. Frank McQuilkin
Ames, Inc.
8918 Herrmann Drive
Columbia, MD-21045

RE: Stancor Elevator Pit Oil Minder Control System Model SE50

Mr. McQuilkin:

I am writing this letter in response to your request letter dated September 3, 2002 for approval of Stancor Elevator Pit Oil Minder Control System to be installed in elevator pits in lieu of an oil separator in City of Falls Church, Virginia.

Based upon review of documents submitted & testing of this system, we have determined that the system meets the code compliance requirements for drainage of elevator pits. Where installed in strict compliance with the manufacturer's instructions, the pump discharge may be directed to a storm water drain without the need for an intervening oil water separator. I also understand that the equipment manufacturer, Stancor Inc., has contracted with Entela Inc. Engineering & Testing Laboratories for "listing & labeling" services. If any of parts or conditions of this system change in any way, shape or form, then City of Falls Church reserves the right to revoke this approval.

You may use this product approval letter for marketing purposes. Please call me at 703 248 5087 if you have any questions regarding this matter.

Sincerely,

Jatinder Singh Khokhar, CBO
City Building Official

CC: Samer Beidas, GM, DES
CC: Moe Wadda, Director of Engineering, DES
CC: Mike Clark, National Elevator Inspection Services
CC: Mark Baxter, Uniwest Construction Company

8918 Hemmann Drive
Columbia, Maryland 21045



AMES, Inc.
Manufacturers' Representative
Since 1957

D.C. (301) 621-8899
BALT. (410) 985-6971
(FAX) (410) 381-5700

Date: November 7, 2002

To: State of Maryland
Division of Labor & Industries
1100 N. Eutaw Street
Baltimore, MD 21201

Attn: Mr. Rudy Gondeck

Ref: Stancor Elevator Pit Oil-Minder® Control System

Dear Mr. Gondeck,

We are pleased to announce the approval for the Stancor Elevator Pit Oil-Minder® Control System by Fairfax County and Washington, D.C. Attached you will find approval letters from each county approving the Stancor Oil-Minder® Control System. We are also including a revised brochure showing the ENTELA certification.

In addition, specifications, drawings, operation and maintenance manuals, and other information can be found at their website www.stancorpumps.com.

We are having a demonstration of this product on 11/20/02 at 10:30 am in our office at the above address. Please call me at extension 104 to confirm your attendance or if you should have any questions concerning this product. Please RSVP by 11/13/02.

Best regards,

Carole Pappas

Carole Pappas, 104
Commercial Market Manager

Attachments: STANCOR Elevator Pit Oil-Minder® Control System Brochure
Direction Information
Approval Letters

11/27/02
COPY with Form
& All Trasp.

STATE OF MARYLAND
DIVISION OF LABOR AND INDUSTRY
ELEVATOR SAFETY INSPECTION UNIT

- APPROVED AS SUBMITTED
- APPROVED AS NOTED
- NOT APPROVED
- RETURNED FOR CORRECTIONS
- RE-SUBMIT COPIES FOR APPROVAL

By: *Rudy Gondeck C.I.*

Date: *11/27/02*

*THIS DEVICE APPEARS
TO MEET ALL CODE
STANDARDS FOR INSTALLATION
IN SUMPS IN ELEVATOR PITS*



FAIRFAX COUNTY

Department of Public Works and Environmental Services
Office of Building Code Services
12055 Government Center Parkway
Fairfax, Virginia 22035-5504

V I R G I N I A

703-324-1910

August 15, 2002

Carole Pappas
Commercial Market Manager
Ames, Inc.
8918 Herrman Drive
Columbia, Maryland 21045

Subject: Stancor Elevator Pit Oil Minder System, Model SE50

Dear Ms. Pappas:

We have reviewed the test documentation you provided in regard to the subject equipment, and witnessed a successful demonstration of it at your facility on May 23, 2002. We further understand that the equipment manufacturer, Stancor Inc., has contracted with Entela Inc. Engineering and Testing Laboratories for "listing and labeling" services. Based on all of this, we have determined that this equipment is code compliant for the drainage of elevator pits. Where installed in strict compliance with the manufacturer's instructions, the pump discharge may be directed to a storm water drain without the need for an intervening oil-water separator.

You may use this product approval letter for marketing purposes.

Sincerely,

Ray Pylant, Director
Commercial Inspections Division
Office of Building Code Services

Copy to:

Audrey Clark, Director, Building Plan Review Division, OBCS
Mike Clark, National Elevator Inspection Services

GOVERNMENT OF THE DISTRICT OF COLUMBIA
DEPARTMENT OF CONSUMER AND REGULATORY AFFAIRS
BUILDING AND LAND REGULATION ADMINISTRATION



Mr. Frank McQuilkin
Ames, Inc.
8918 Herrmann Drive
Columbia, MD 21045

July 31, 2002

Ref: Stancor Elevator Pit Oil Minder Control System

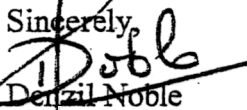
Dear Mr. McQuilkin,

This is in response to your letter of July 22, 2002 regarding your request for approval of Stancor Elevator Pit Oil Minder Control System to be installed in elevator pits in lieu of an oil separator, in District Of Columbia.

Based on review of documents submitted and having witnessed the system demonstration at your facility, we have determined that the system meets the intent of DC Building Code, as amended by District of Columbia Municipal Regulations (DCMR) Title 12. Therefore, pursuant to DCMR Title 12, Section 110.5.1, the Stancor Elevator Pit Oil Minder Control System is hereby approved for installation in elevator pits in lieu of oil separator, in the District of Columbia.

This approval does not preclude the requirement for obtaining the applicable building permits in accordance with the DCMR Title 12, Section 111.0, before installation of the system.

Should you require additional information, please do not hesitate to call Mr. James Upshaw at 202-442-4684 or Mr. Bellur Ravishankar at 202-442-4562.

Sincerely,

Denzil Noble
Dy. Administrator

Cc: James Upshaw
Bellur Ravishankar
Sydney Lester
Denvert Boney